



# Illustrated Parts List

## Model Series

# 123300

TYPE NUMBERS  
0035 through 0307.

### TABLE OF CONTENTS

Air Cleaner .....	6
Blower Housing .....	7
Camshaft .....	2
Carburetor .....	4
Controls .....	5
Crankcase Cover .....	2
Crankshaft .....	2
Cylinder .....	2
Cylinder Head .....	3
Electric Starter .....	5
Exhaust System .....	6
Flywheel .....	7
Fuel Supply .....	4
Gear Reduction .....	6
Governor Spring .....	5
Ignition .....	5
Kits/Gaskets - Carburetor .....	4
Kits/Gaskets - Engine .....	2
Kits/Gaskets - Valves .....	3
Lubrication .....	2
Piston Group .....	2
Rewind Starter .....	7



PRINTED IN U.S.A.

COPYRIGHT by BRIGGS & STRATTON CORPORATION  
All rights reserved. No part of this material may be reproduced or transmitted,  
in any form or by any means, electronic or mechanical, including photocopying,  
recording or by any information storage and retrieval system, without permission  
in writing from Briggs & Stratton Corporation.

1319 WARNING LABEL

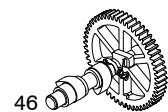
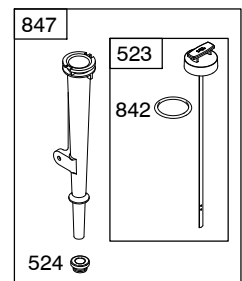
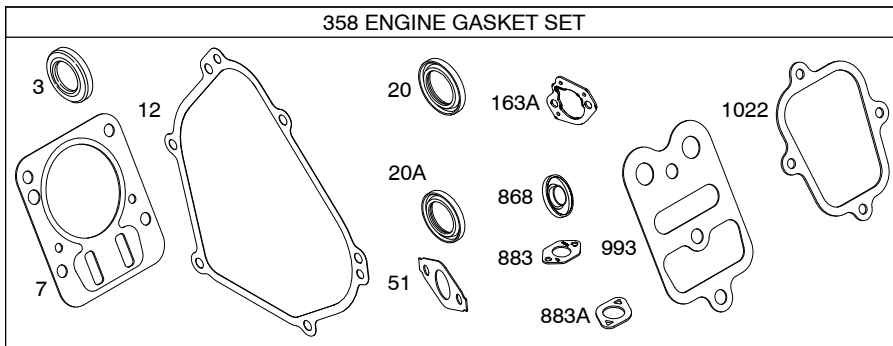
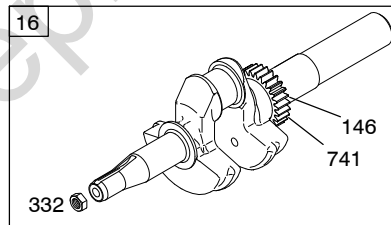
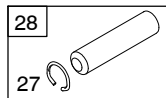
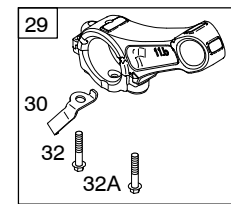
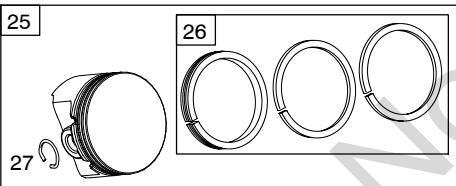
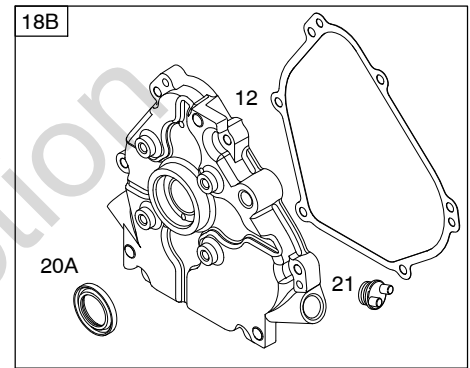
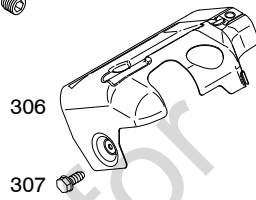
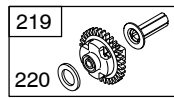
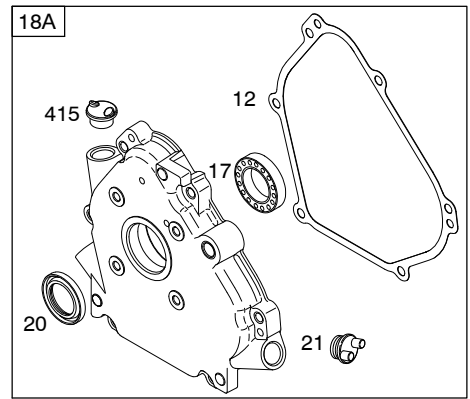
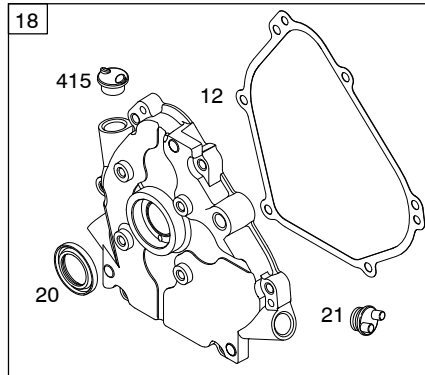
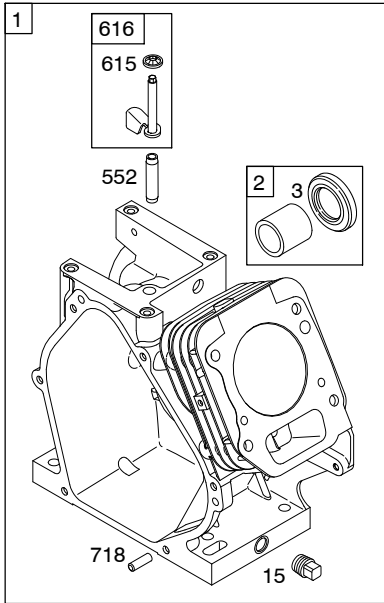


**REQUIRED** when replacing parts with warning labels affixed.

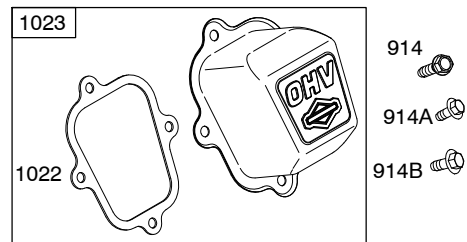
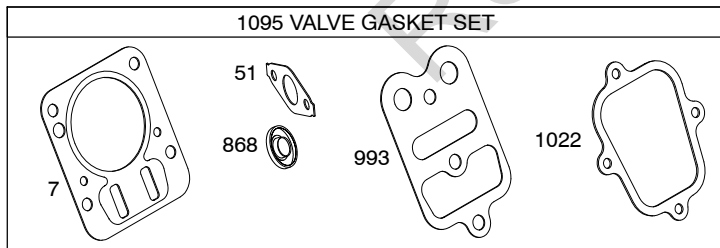
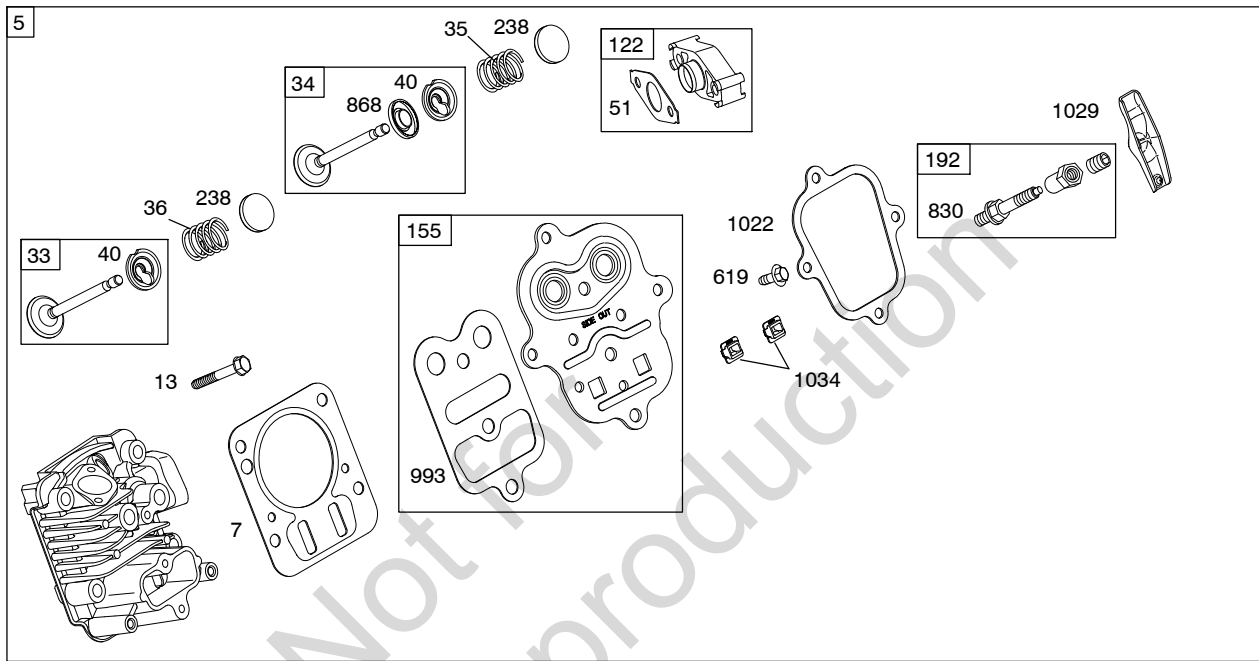
1058 OPERATOR'S MANUAL

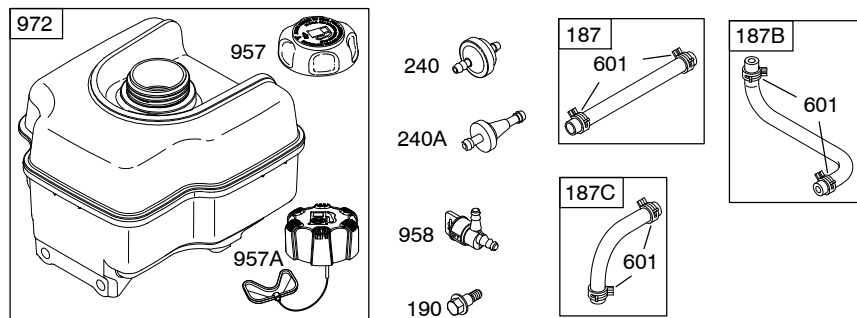
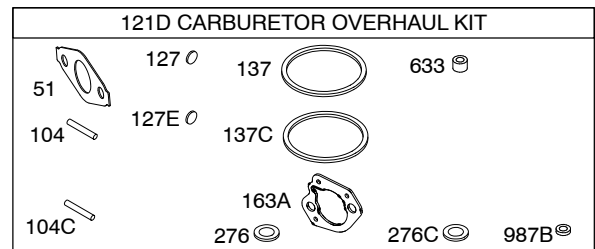
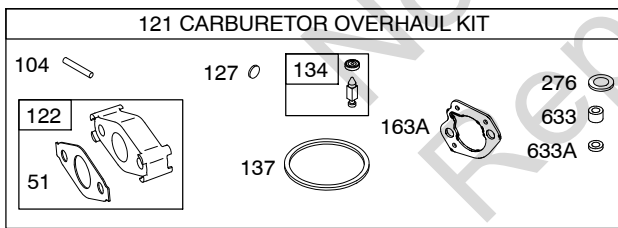
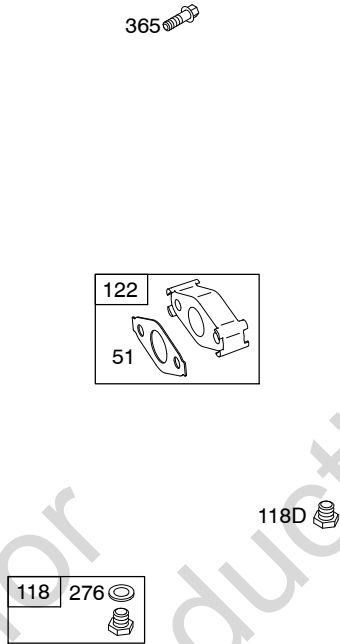
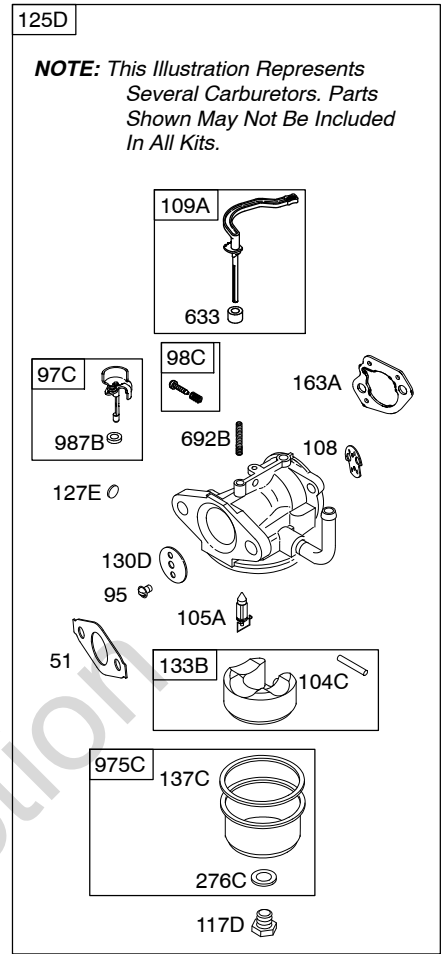
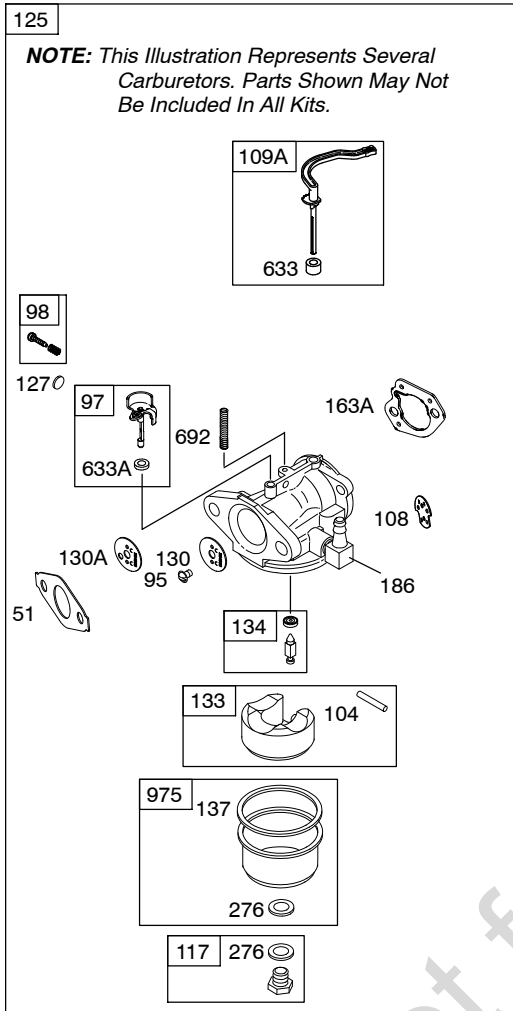


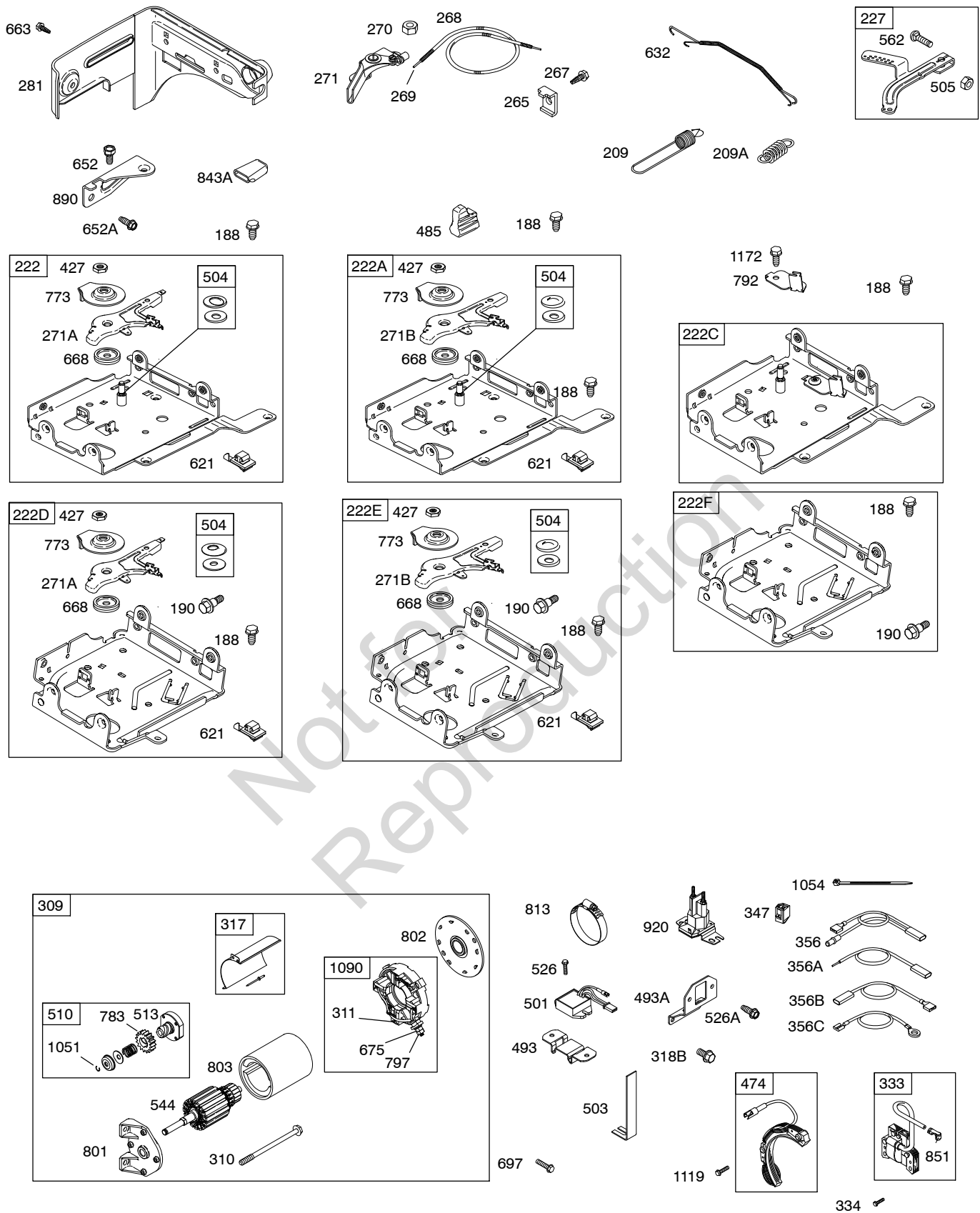
1330 REPAIR MANUAL



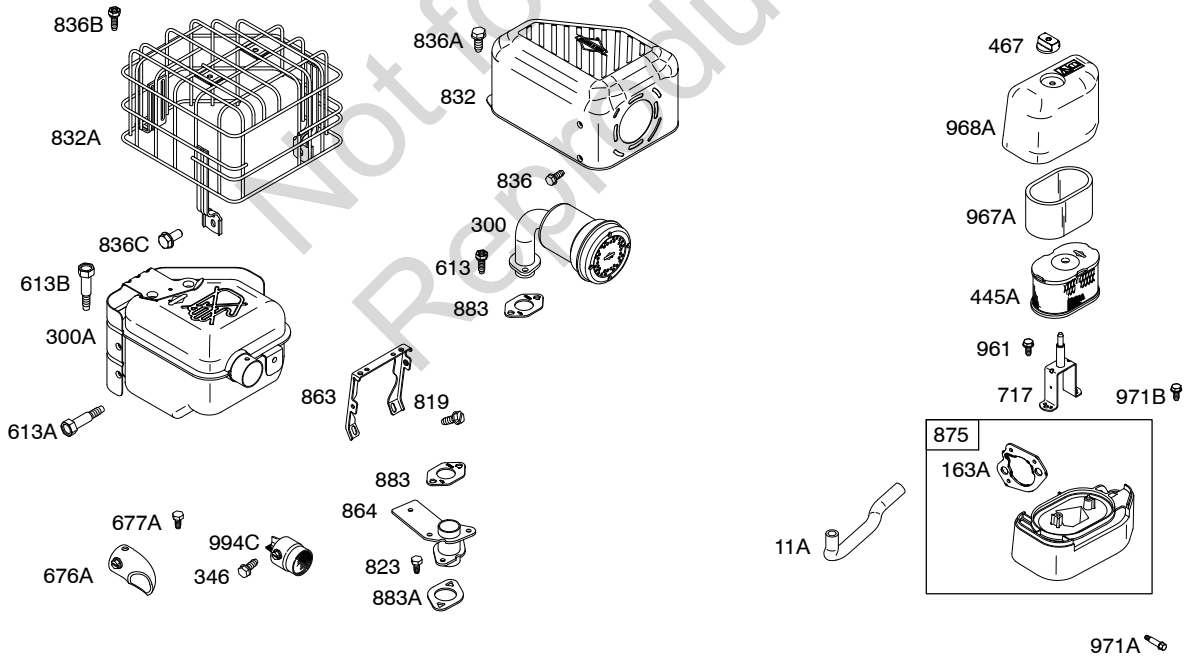
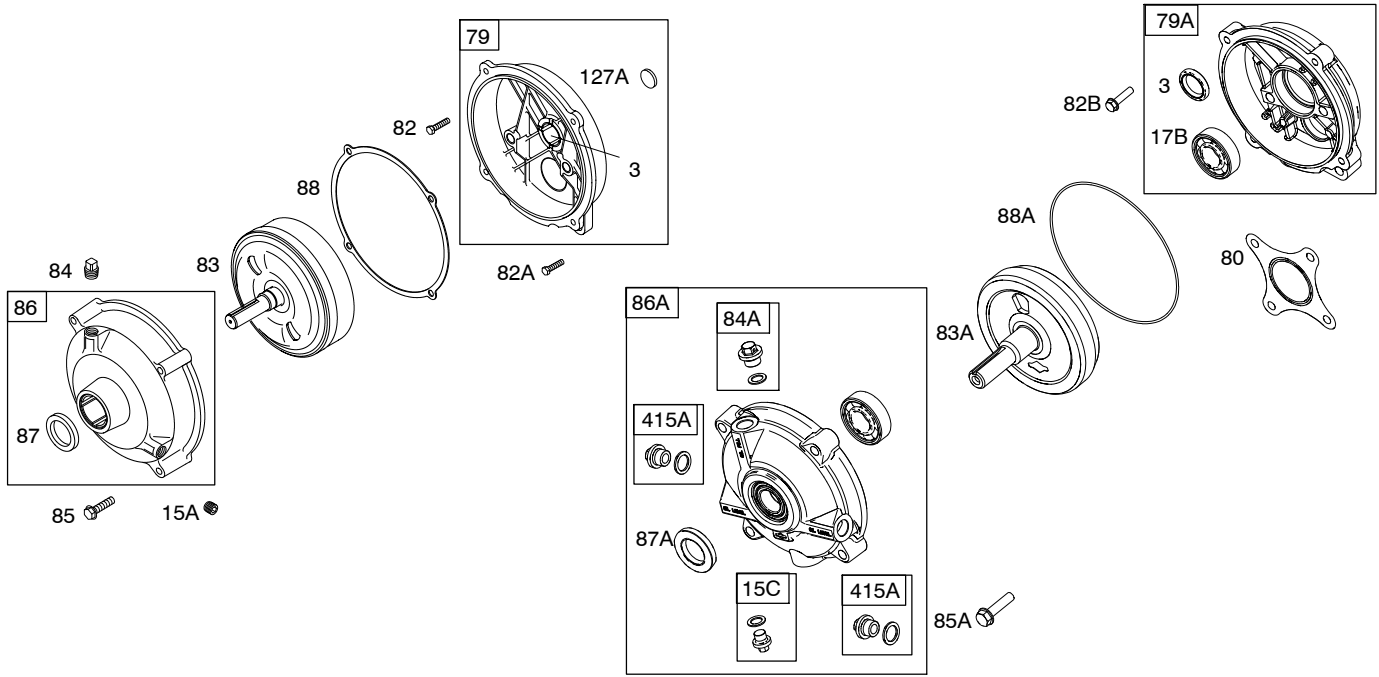
Illustrations cover a range of engines. Parts shown without corresponding text may not be used on your specific engine.



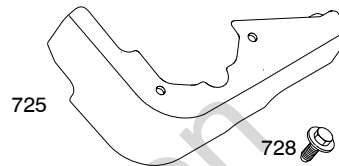
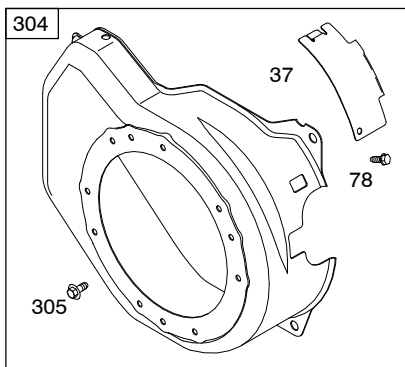
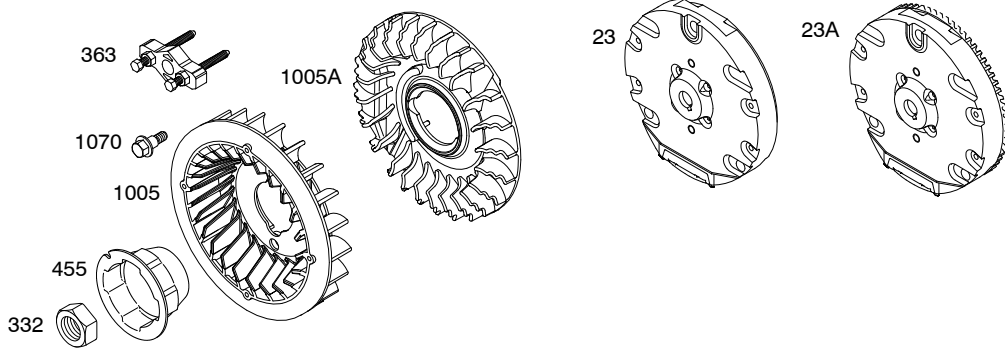




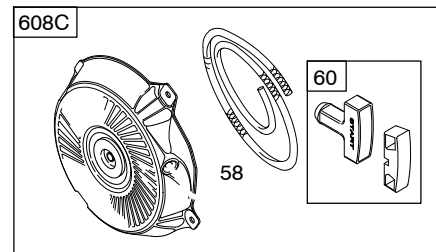
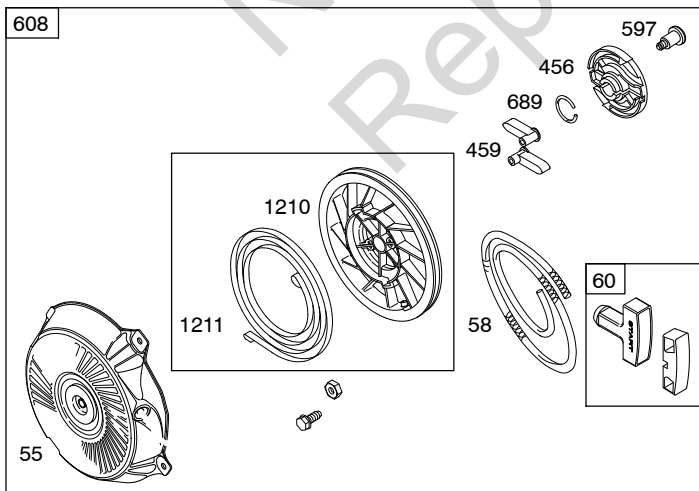
Illustrations cover a range of engines. Parts shown without corresponding text may not be used on your specific engine.  
 5719-5 Assemblies include all parts shown in frames. 02/09/2012



Illustrations cover a range of engines. Parts shown without corresponding text may not be used on your specific engine.  
 5719-6 Assemblies include all parts shown in frames. 02/09/2012



1036 EMISSIONS LABEL



# 123300

REF. NO.	PART NO.	DESCRIPTION	REF. NO.	PART NO.	DESCRIPTION	REF. NO.	PART NO.	DESCRIPTION
1	699505	Cylinder Assembly	16	699443	Crankshaft	20	★692550	Seal-Oil (PTO Side)
2	399269	Kit-Bushing/Seal (Magneto Side)			----- Note -----	20A	★694171	Seal-Oil (PTO Side)
3	★299819S	Seal-Oil (Magneto Side)			792883 Crankshaft (Used After Code Date 06051600).	21	281658S	Cap-Oil Fill
5	797439	Head-Cylinder (Metric) (Used After Code Date 09061700).			Used on Type No(s). 0049, 0120, 0249, 0303.	22	699478	Screw (Crankcase Cover/ Sump)
		----- Note -----			699444 Crankshaft (Used Before Code Date 06051700).	23	699488	Flywheel
		699486 Head-Cylinder (SAE) (Used Before Code Date 09061800).			Used on Type No(s). 0049, 0120, 0249, 0303.	23A	699514	Flywheel Used on Type No(s). 0050, 0121, 0138, 0151, 0170, 0172, 0176, 0178, 0181, 0184, 0185, 0250, 0300.
7	★Ø698210	Gasket-Cylinder Head			699449 Crankshaft Used on Type No(s). 0267, 0300.			----- Note -----
11A	693647	Tube-Breather (High Mount Air Cleaner)			699451 Crankshaft Used on Type No(s). 0118, 0122, 0123, 0182.			790328 Flywheel Used on Type No(s). 0180, 0182.
12	★699485	Gasket-Crankcase			699442 Crankshaft Used on Type No(s). 0140, 0145, 0147, 0153, 0307.	24	796335	Key-Flywheel
13	699482	Screw (Cylinder Head)			699441 Crankshaft Used on Type No(s). 0035, 0235, 0301, 0306.	25	792004	Piston Assembly (Standard)
15	691686	Plug-Oil Drain (Square Head)						----- Note -----
15A	691682	Plug-Oil Drain (Flush)						791325 Piston Assembly (.020" Oversize)
15C	792750	Plug-Oil Drain						
			17	692517	Bearing-Ball	26	791969	Ring Set (Standard) (Used After Code Date 05030800).
			17B	99158	Bearing-Ball			----- Note -----
			18	699804	Cover-Crankcase Used on Type No(s). 0049, 0249, 0303.			499631 Ring Set (Standard) (Used Before Code Date 05030900).
			18A	699672	Cover-Crankcase Used on Type No(s). 0035, 0036, 0050, 0118, 0121, 0122, 0123, 0135, 0136, 0138, 0140, 0141, 0144, 0145, 0147, 0151, 0153, 0170, 0172, 0176, 0178, 0179, 0181, 0182, 0184, 0185, 0235, 0236, 0250, 0267, 0268, 0300, 0301, 0302, 0305, 0306, 0307.			791324 Ring Set (.020" Oversize) (Used After Code Date 05030800).
			18B	699761	Cover-Crankcase Used on Type No(s). 0120.			692786 Ring Set (.020" Oversize) (Used Before Code Date 05030900).

★ Included in Engine Gasket Set-Ref. No.358.

● Included in Carburetor Overhaul Kit-Ref. No. 121.

◆ Included in Carburetor Gasket Set-Ref. No. 977.

Ø Included in Valve Gasket Set-Ref. No 1095.

**Illustrations cover a range of engines. Parts shown without corresponding text may not be used on your specific engine.**

5719-8

Assemblies include all parts shown in frames.

02/09/2012



REF. NO.	PART NO.	DESCRIPTION	REF. NO.	PART NO.	DESCRIPTION	REF. NO.	PART NO.	DESCRIPTION
27	691866	Lock-Piston Pin	58	693389	Rope-Starter (Used After Code Date 08030200).	83	690374	Shaft-Auxiliary Drive (Used Before Code Date 06051700).
28	499423	Pin-Piston				83A	792756	Shaft-Auxiliary Drive (Used After Code Date 06051600).
29	690124	Rod-Connecting				84	691121	Plug-Breather
30	791584	Dipper-Connecting Rod				84A	792759	Plug-Breather
32	691664	Screw (Connecting Rod)				85	692551	Screw (Gear Cover to Gear Reduction)
32A	695759	Screw (Connecting Rod)				85A	690711	Screw (Gear Cover to Gear Reduction)
33	499642	Valve-Exhaust						
34	499641	Valve-Intake						
35	691304	Spring-Valve (Intake)						
36	691304	Spring-Valve (Exhaust)						
37	699661	Guard-Flywheel						
40	692194	Retainer-Valve						
45	690977	Tappet-Valve						
46	693404	Camshaft	60	490652	Grip-Starter Rope (2 Piece)			
51★◆◇	692555	Gasket-Intake	65	699851	Screw (Rewind Starter) (Metric)	86	690608	Cover-Gear (Used Before Code Date 06051700).
55	791848	Housing-Rewind Starter (Used After Code Date 08030200).				86A	795647	Cover-Gear (Used After Code Date 08010100).
		----- Note -----						----- Note -----
		691422 Housing-Rewind Starter (Used Before Code Date 08030300). (Rewind Starter Parts Used With 3MM Diameter Starter Rope)	78	699205	Screw (Flywheel Guard)			792748 Cover-Gear (Used After Code Date 06051600 and Before Code Date 08010200).
		791848 Housing-Rewind Starter (Used Before Code Date 08030300). (Rewind Starter Parts Used With 5MM Diameter Starter Rope)	79	694511	Case-Gear Reduction (Used Before Code Date 06051700).	87	691582	Seal-Gear Reduction (Used Before Code Date 06051700).
			79A	792746	Case-Gear Reduction (Used After Code Date 06051600).	87A	792752	Seal-Gear Reduction (Used After Code Date 06051600).
			80	792755	Gasket-Gear Case	88	691600	Gasket-Gear Reduction Cover
			82	690369	Screw (Gear Reduction Case) (Used Before Code Date 06051700).	88A	792760	Gasket-Gear Reduction Cover
			82A	790197	Screw (Gear Reduction Case) (Used Before Code Date 06051700).	95	691636	Screw (Throttle Valve)
			82B	792753	Screw (Gear Reduction Case) (Used After Code Date 06051600).			

★ Included in Engine Gasket Set-Ref. No.358.

● Included in Carburetor Overhaul Kit-Ref. No. 121.

◆ Included in Carburetor Gasket Set-Ref. No. 977.

◇ Included in Valve Gasket Set-Ref. No 1095.

**Illustrations cover a range of engines. Parts shown without corresponding text may not be used on your specific engine.**

# 123300

REF. NO.	PART NO.	DESCRIPTION	REF. NO.	PART NO.	DESCRIPTION	REF. NO.	PART NO.	DESCRIPTION
97	690024	Shaft-Throttle	118	694176	Jet-Main (High Altitude)	127	●691739	Plug-Welch
97C	797628	Shaft-Throttle			(High Altitude)	127A	691585	Plug-Welch
98	398185	Kit-Idle Speed			----- Note -----	127E	797633	Plug-Welch
98C	797156	Kit-Idle Speed			497315 Jet-Main	130	691181	Valve-Throttle
104	●691242	Pin-Float Hinge			(High Altitude)	130A	691203	Valve-Throttle
104C	●797622	Pin-Float Hinge			Used on Type No(s).			Used on Type No(s).
105A	797139	Valve-Float Needle			0140, 0145, 0147,			0140, 0145, 0153,
108	692567	Valve-Choke			0153, 0307.			0307.
109A	693628	Shaft-Choke			694176 Jet-Main	130D	797630	Valve-Throttle
117	698344	Jet-Main (Standard)			(High Altitude)	133	398187	Float-Carburetor
		----- Note -----			(Used Before Code	133B	797136	Float-Carburetor
		494870 Jet-Main			Date 12010100).	134	●398188	Kit-Needle/Seat
		(Standard)			Used on Type No(s).	137	●●693981	Gasket-Float Bowl
		Used on Type No(s).			0122, 0141, 0170,	137C	●797625	Gasket-Float Bowl
		0140, 0145, 0147,	118D	590440	0182, 0184, 0306.	146	690979	Key-Timing
		0153, 0307.			Jet-Main	155	797442	Plate-Cylinder Head
		698344 Jet-Main			(High Altitude)			(Metric)
		(Standard)			(Used After Code Date			(Used After Code Date
		(Used Before Code			1123100).			09061700).
		Date 12010100).			Used on Type No(s).			----- Note -----
		Used on Type No(s).			0122, 0141, 0170,			698214 Plate-Cylinder
		0122, 0141, 0170,	121	792006	0182, 0184, 0306.			Head
		0182, 0184, 0306.			Kit-Carburetor			(SAE)
			121D	797634	Overhaul			(Used Before Code
					Kit-Carburetor			Date 09061800).
					Overhaul			
117D	591298	Jet-Main (Standard)			122 ★●795643	163A★●●792870		Gasket-Air Cleaner
		(Used After Code Date			Carburetor	192	797440	Adjuster-Rocker Arm
		11123100).			----- Note -----			(Metric)
		Used on Type No(s).			790243 Carburetor			(Used After Code Date
		0122, 0141, 0170,			Used on Type No(s).			09061700).
		0182, 0184, 0306.			0140, 0145, 0147,			----- Note -----
					0153, 0307.			694543 Adjuster-
					698475 Carburetor			Rocker Arm
					(Used Before Code			(SAE)
					Date 12010100).			(Used Before Code
					Used on Type No(s).			Date 09061800).
					0122, 0141, 0170,			(High Mount)
					0182, 0184, 0306.			
			125D	591309	Carburetor			
					(Used After Code Date			
					11123100).			
					Used on Type No(s).			
					0122, 0141, 0170,			
					0182, 0184, 0306.			

★ Included in Engine Gasket Set-Ref. No.358.

● Included in Carburetor Overhaul Kit-Ref. No. 121.

◆ Included in Carburetor Gasket Set-Ref. No. 977.

⊗ Included in Valve Gasket Set-Ref. No 1095.

**Illustrations cover a range of engines. Parts shown without corresponding text may not be used on your specific engine.**

REF. NO.	PART NO.	DESCRIPTION	REF. NO.	PART NO.	DESCRIPTION	REF. NO.	PART NO.	DESCRIPTION
170	699818	Stud (Crankcase Cover)	227	692573	Lever-Governor Control	332	792723	Nut (Flywheel)
186	692317	Connector-Hose	238	691300	Valve-Cap	333	695711	Armature-Magneto
187	791766	Line-Fuel (Cut to Required Length)	240	394358S	Filter-Fuel	334	699477	Screw (Magneto Armature)
187B	791874	Line-Fuel (Molded)	240A	694485	Filter-Fuel	337	491055S	Plug-Spark (Resistor)
187C	791866	Line-Fuel (Molded)	265	691024	Clamp-Casing			----- Note -----
188	699479	Screw (Control Bracket)	267	699492	Screw (Casing Clamp)			691043 Plug-Spark (EMS)
190	699220	Screw (Fuel Tank)	268	691025	Casing-Control Wire (Cut to Required Length)	346	699203	Screw (Spark Arrestor) (Metric)
209	692571	Spring-Governor	269	691026	Wire-Control (Cut to Required Length)			----- Note -----
		----- Note -----	270	691027	Nut (Control Wire Casing)			690661 Screw (Spark Arrestor) (SAE)
		693206 Spring- Governor Used on Type No(s). 0035, 0118, 0123, 0147, 0176, 0181, 0235, 0301, 0306, 0307.	271	691028	Lever-Control	347	697854	Switch-Rocker ----- Note -----
		693710 Spring- Governor Used on Type No(s). 0151, 0170, 0184.	271A	694256	Lever-Control			698338 Switch-Rocker Used on Type No(s). 0118, 0123, 0136, 0138, 0178.
209A	691278	Spring-Governor	271B	695743	Lever-Control	356	693651	Wire-Stop
219	693578	Gear-Governor	276	●271716	Washer-Sealing	356A	692390	Wire-Stop
220	691724	Washer (Governor Gear)	276C	●797632	Washer-Sealing	356B	692602	Wire-Stop
222	699589	Bracket-Control (Used Before Code Date 06051500).	281	793122	Panel-Control	356C	695630	Wire-Stop
222A	699591	Bracket-Control (Used Before Code Date 06051500).	286	794185	Module-Oil Sensor	357	798869	Key-Drive Pulley (Metric)
222C	699590	Bracket-Control (Used Before Code Date 06051500).	287	699629	Screw (Dipstick Tube)			----- Note -----
222D	793107	Bracket-Control (Used After Code Date 06051400).	300	693593	Muffler			692191 Key-Drive Pulley (SAE)
222E	793108	Bracket-Control (Used After Code Date 06051400).	300A	699231	Muffler	358	791797	Gasket Set-Engine
222F	793100	Bracket-Control (Used After Code Date 06051400).	304	699598	Housing-Blower	363	19203	Puller-Flywheel
			305	699481	Screw (Blower Housing)	364	695693	Terminal-Oil Plug
			306	693610	Shield-Cylinder	365	699484	Screw (Carburetor)
			307	699483	Screw (Cylinder Shield)	383	19374S	Wrench-Spark Plug
			309	694504	Motor-Starter	415	693463	Plug
			310	690323	Screw (Starter Motor)	415A	792749	Plug
			311	497608	Brush Set			
			317	695494	Cover-Starter			
			318B	793567	Screw (Mounting Bracket)			

★ Included in Engine Gasket Set-Ref. No.358.

● Included in Carburetor Overhaul Kit-Ref. No. 121.

◆ Included in Carburetor Gasket Set-Ref. No. 977.

⊘ Included in Valve Gasket Set-Ref. No 1095.

**Illustrations cover a range of engines. Parts shown without corresponding text may not be used on your specific engine.**

# 123300

REF. NO.	PART NO.	DESCRIPTION	REF. NO.	PART NO.	DESCRIPTION	REF. NO.	PART NO.	DESCRIPTION
427	798458	Nut (Control Bracket) (Metric)	503	691532	Strap-Starter	613	699209	Screw (Muffler)
		----- Note -----	504	694254	Washer Set-Friction	613A	699481	Screw (Muffler)
		694255 Nut (Control Bracket) (SAE)	505	691251	Nut (Governor Control Lever)	613B	799081	Screw (Muffler) (Metric)
445A	697029	Filter-Air Cleaner Cartridge (High Mount)	510	499308	Drive-Starter			----- Note -----
455	591302	Cup-Flywheel (Used After Code Date 11123100).	513	692024	Drive-Clutch			697812 Screw (Muffler) (SAE)
		----- Note -----	522	697689	Plug-Dipstick/Fill	615	692576	Retainer-Governor Shaft
		692591 Cup-Flywheel (Used Before Code Date 12010100).	523	693618	Dipstick	616	692547	Crank-Governor Screw
456	692299	Plate-Pawl Friction	524	281370S	Seal-Dipstick Tube	619	699481	Screw (Cylinder Head Plate)
459	281505S	Pawl-Ratchet	526	690297	Screw (Regulator)	621	692310	Switch-Stop
467	691668	Knob-Air Cleaner	526A	690326	Screw (Regulator)	632	693408	Spring/Link-Mechani- cal Governor
474	694457	Alternator	544	692966	Armature-Starter	633	◆◆693867	Seal-Choke/Throttle Shaft
		----- Note -----	552	692346	Bushing-Governor Crank	633A	◆◆691321	Seal-Choke/Throttle Shaft
		695730 Alternator Used on Type No(s). 0121.	562	691119	Bolt (Governor Control Lever)	635	692076	Boot-Spark Plug
		695466 Alternator Used on Type No(s). 0151, 0172, 0184.	597	691696	Screw (Pawl Friction Plate)	635A	692927	Boot-Spark Plug
		790320 Alternator Used on Type No(s). 0180, 0182.	601	791850	Clamp-Hose	652	699755	Screw (Support Bracket)
		7932640 Alternator Used on Type No(s). 0050, 0119, 0170, 0176, 0178, 0181, 0185, 0250.	608	795930	Starter-Rewind (Used After Code Date 08030200 and Before Code Date 12010100).	652A	699481	Screw (Support Bracket)
					----- Note -----	663	699206	Screw (Control Panel)
					693394 Starter- Rewind (Used Before Code Date 08030300). (Rewind Starter Parts Used With 3MM Diameter Starter Rope)	668	694257	Spacer (Brush Retainer)
485	695755	Knob-Control			791670 Starter- Rewind (Used Before Code Date 08030300). (Rewind Starter Parts Used With 5MM Diameter Starter Rope)	675	691261	Washer (Brush Retainer)
493	691177	Bracket-Mounting				676A	697816	Deflector-Muffler
493A	699048	Bracket-Mounting				677A	699776	Screw (Muffler Deflector)
501	691185	Regulator				689	691855	Spring-Friction
		----- Note -----				692	690572	Spring-Detent
		790325 Regulator Used on Type No(s). 0180, 0182.	608C	591301	Starter-Rewind (Used After Code Date 11123100).	692B	797624	Spring-Detent
						697	793567	Screw (Starter Motor)
						717	693462	Bracket-Air Cleaner

★ Included in Engine Gasket Set-Ref. No.358.

● Included in Carburetor Overhaul Kit-Ref. No. 121.

◆ Included in Carburetor Gasket Set-Ref. No. 977.

⊘ Included in Valve Gasket Set-Ref. No 1095.

**Illustrations cover a range of engines. Parts shown without corresponding text may not be used on your specific engine.**

REF. NO.	PART NO.	DESCRIPTION	REF. NO.	PART NO.	DESCRIPTION	REF. NO.	PART NO.	DESCRIPTION
718	690959	Pin-Locating	842	691031	Seal-O Ring (Dipstick Tube)	920	691656	Solenoid-Starter
725	792874	Shield-Heat				957	792647	Cap-Fuel Tank (Fresh Start)
727	698039	Cover-Starter Drive	843A	695588	Sleeve-Lever			----- Note -----
728	699632	Screw (Heat Shield)	847	693617	Dipstick/Tube Assembly			795027 Cap-Fuel Tank
732	699200	Screw (Starter Drive Cover)	851	493880S	Terminal-Spark Plug			(Text Free)
741	695087	Gear-Timing	863	699229	Bracket-Muffler	957A	799719	Cap-Fuel Tank (Carbon In Cap)
742	692564	Retainer-E Ring	864	699232	Adapter-Muffler			958 698180 Valve-Fuel Shut Off
746	790278	Gear-Idler	868	★692044	Seal-Valve	961	698304	Screw (Air Cleaner Bracket)
773	694258	Retainer	875	591306	Base-Air Cleaner (High Mount) (Used After Code Date 11123100).	967A	273356S	Filter-Pre Cleaner (High Mount)
783	692353	Gear-Pinion			----- Note -----	968A	693460	Cover-Air Cleaner (High Mount)
792	694259	Bracket-Fixed Speed			697030 Base-Air- Cleaner (High Mount) (Used Before Code Date 12010100).	971A	591307	Screw (Air Cleaner Base) (Used After Code Date 11123100).
797	691029	Nut (Brush Retainer)						----- Note -----
799	699202	Screw (Oil Sensor)	883	★691893	Gasket-Exhaust			690349 Screw (Air Cleaner Base) (Used Before Code Date 12010100).
801	694482	Cap-Drive	883A	★692237	Gasket-Exhaust			----- Note -----
802	691286	Cap-End	890	790203	Bracket-Support			690349 Screw (Air Cleaner Base) (Used Before Code Date 12010100).
803	693757	Housing-Starter	914	699481	Screw (Rocker Cover) (Bottom)	971B	699629	Screw (Air Cleaner Base)
813	690635	Clamp	914A	797444	Screw (Rocker Cover) (Top)(Metric) (Used After Code Date 09061700).	972	694260	Tank-Fuel
819	699233	Screw (Muffler Bracket)			----- Note -----	975	493640	Bowl-Float
823	699209	Screw (Muffler Adapter)			692557 Screw (Top)(SAE) (Used Before Code Date 09061800).	975C	797631	Bowl-Float
830	797441	Stud-Rocker Arm (Metric) (Used After Code Date 09061700).	914B	797444	Screw (Rocker Cover) (Center)(Metric) (Used After Code Date 09061700).	987B	797629	Seal-Throttle Shaft
		----- Note -----				993	∅694088	Gasket-Cylinder Head Plate
		694544 Stud-Rocker Arm (SAE) (Used Before Code Date 09061800).				994C	790153	Arrester-Spark
832	693583	Guard-Muffler				1005	692592	Fan-Flywheel
832A	697818	Guard-Muffler				1005A	794273	Fan-Flywheel
836	699203	Screw (Muffler Guard)				1022	★∅691890	Gasket-Rocker Cover
836A	699632	Screw (Muffler Guard)			----- Note -----	1023	499924	Cover-Rocker Arm
836B	699209	Screw (Muffler Guard)			697551 Screw (Rocker Cover) (Center)(SAE) (Used Before Code Date 09061800).	1026	790287	Rod-Push
836C	699234	Screw (Muffler Guard)						

★ Included in Engine Gasket Set-Ref. No.358.

● Included in Carburetor Overhaul Kit-Ref. No. 121.

◆ Included in Carburetor Gasket Set-Ref. No. 977.

∅ Included in Valve Gasket Set-Ref. No 1095.

*Illustrations cover a range of engines. Parts shown without corresponding text may not be used on your specific engine.*

# 123300

REF. NO.	PART NO.	DESCRIPTION	REF. NO.	PART NO.	DESCRIPTION	REF. NO.	PART NO.	DESCRIPTION
1029	797443	Arm-Rocker (Metric) (Used After Code Date 09061700). ----- <b>Note</b> ----- <b>691230</b> Arm-Rocker (SAE) (Used Before Code Date 09061800).	1210	791849	Pulley/Spring Assembly (Pulley) (Used After Code Date 08030200). ----- <b>Note</b> ----- <b>498144</b> Pulley/Spring Assembly (Pulley) (Used Before Code Date 08030300). (Rewind Starter Parts Used With 3MM Diameter Starter Rope)	1211	791849	Pulley/Spring Assembly (Spring) (Used After Code Date 08030200). ----- <b>Note</b> ----- <b>498144</b> Pulley/Spring Assembly (Spring) (Used Before Code Date 08030300). (Rewind Starter Parts Used With 3MM Diameter Starter Rope)
1034	691343	Guide-Push Rod						
1036		Label-Emissions (Available From An Authorized Briggs & Stratton Sevice Dealer)						
1051	691265	Ring-Retaining						
1052	790141	Sensor-Oil						
1054	280275	Cable-Tie						
1058	277040	Operator's Manual						
1070	699201	Screw (Flywheel Fan)						
1090	691293	Retainer-Brush						
1095	791798	Gasket Set-Valve						
1119	699772	Screw (Alternator)						
1172	699230	Screw (Fixed Speed Bracket)				1305	699691	Screw (Oil Sensor Module)
						1319	794467	Label-Warning
						1330	272147	Repair Manual

★ Included in Engine Gasket Set-Ref. No.358.

● Included in Carburetor Overhaul Kit-Ref. No. 121.

◆ Included in Carburetor Gasket Set-Ref. No. 977.

⊗ Included in Valve Gasket Set-Ref. No 1095.

**Illustrations cover a range of engines. Parts shown without corresponding text may not be used on your specific engine.**

5719-14

Assemblies include all parts shown in frames.

02/09/2012

Not for  
Reproduction

Not for  
Reproduction

